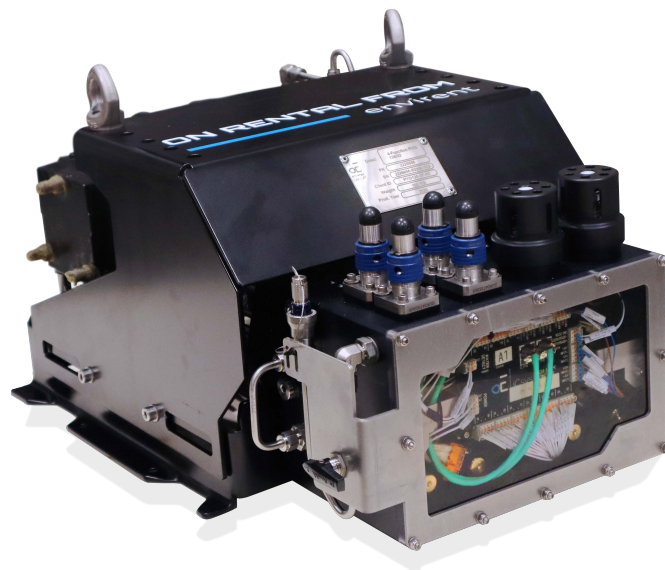


# 4-FUNCTION HIGH FLOW VALVE PACK PVG 128

FLOW 240 L/MIN

PRESSURE 345 BAR

WATER DEPTH 3000 METER



## Description

**The 4-Station High Flow Valve Pack is designed and developed to achieve a cost-effective valve pack with high flow capabilities for subsea use. This valve pack allows short delivery time with proven concepts.**

The 4-Station High Flow Valve Pack is a universal remotely operated control unit which consists of 4 x directional control valves with individual pressure and flow control, allowing high flow of up to 240l/min in the output lines.

The valve pack use our well known and proven PCB board to operate the hydraulic control valves which give pilot pressure to each PVG valve to control flow and pressure. Each valve group has pressure sensors for monitoring input- and output pressure. Auxiliary signal input is also achieved through a dedicated connector.

## Typical Operations

- Subsea Tooling
- High Flow operations
- ROV operations

## Features

- Field proven
- Individual pressure and flow control
- High flow outputs
- Auxiliary signal input
- Water ingress alarm
- Compensation fluid filling and air bleed
- Ethernet and serial comms
- Pressure monitoring

■ The specification details are illustrative for marketing purposes only. Actual equipment may be different as a result of product improvement or other reasons. Specific interface and performance information should be reconfirmed at time of order placement.

Envirent AS, Robotvegen 16, 4340 Bryne, +47 477 77 500 [post@envirent.no](mailto:post@envirent.no)



# SPECIFICATIONS

## 4- FUNCTION VALVEPACK

### General technical specifications

Type	4- Function Valve pack PVG128/32
Part number	PVG128-4F
Weight in air/submerged	103 Kg
Dimensions (L x W x H)	723 x 409 x 336 mm

### Environmental data

Design Lifetime	25 Years with normal maintenance
Depth Rating	3000 m
Operating Temperature	-5° + 60°
Storage Temperature	-18° + 50°

### Electrical data

Supply Voltage	20....30 VDC
Supply Max Current	10 A
COMS	Ethernet / RS232 / 485 optional
Earthing / Ground Connection Size	Threaded M10

### Electrical interface

Connection J1 Pin-out	Connector Glen Air G5506-1508-0004 Pin 1 – 0V / RS232 GND Pin 2 – 24 VDC Pin 3 – RS232 TX / RS485 D+ Pin 4 – RS232 RX / RS485 D- Pin 5 – TX+ Pin 6 – TX- Pin 7 – RX+ Pin 8 – RX-
Connection J2 Pin-out	Pin 1 – 0V Pin 2 – 24 VDC Pin 3 – NC Pin 4 – NC Pin 5 – TX+ Pin 6 – YX- Pin 7 – RX+ Pin 8 – RX-
Connection J3 Pin-out	Pin 1 – GND Pin 2 – 24 VDC Pin 3 – NC Pin 4 – NC Pin 5 – 4 – 20 mA Pin 6 – 4 – 20 mA Pin 7 – NC Pin 8 – NC
Connection J4 Pin-out	Pin 1 – GND Pin 2 – 24 VDC Pin 3 – NC Pin 4 – NC Pin 5 – DIG IN Pin 6 – DIG IN Pin 7 – NC Pin 8 – NC

# SPECIFICATIONS

## 4- FUNCTION VALVEPACK

### Hydraulic data

Number of function lines	4 x
Supply pressure (from ROV)	345 Bar
Supply flow (from ROV)	240 L/min
Fluid compatibility supply (from ROV)	Hydraulic oils of power classes (HL, HLP) to DIN 51524. Water Glycol fluid; HFC Fluids (consult with OEM)
Fluid compensation	Shell Tellus T or compatible type

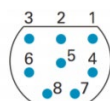
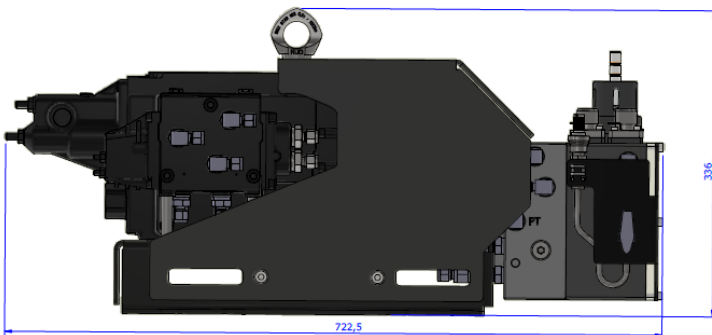
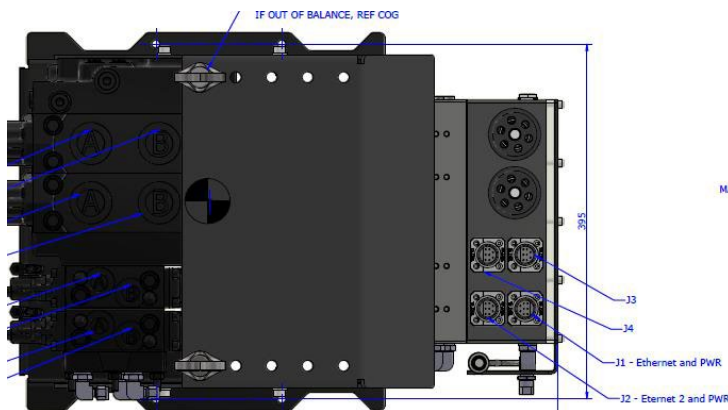
### ROV Hydraulic interface

ROV Supply	1 ½ inch BSP
ROV Return	1 ½ inch BSP

### Hydraulic interface

Port 1a/b	½ inch BSP – 40 l/min
Port 2a/b	½ inch BSP – 40 l/min
Port 3a/b	1 inch BSP – 240 l/min
Port 4a/b	1 inch BSP – 240 l/min

## DIMENSIONS

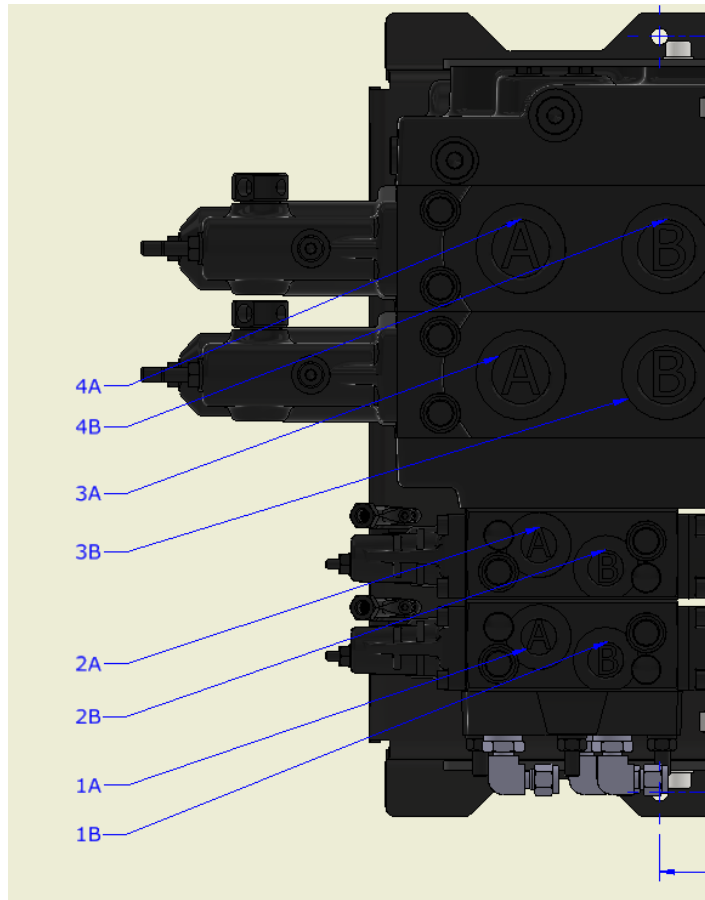
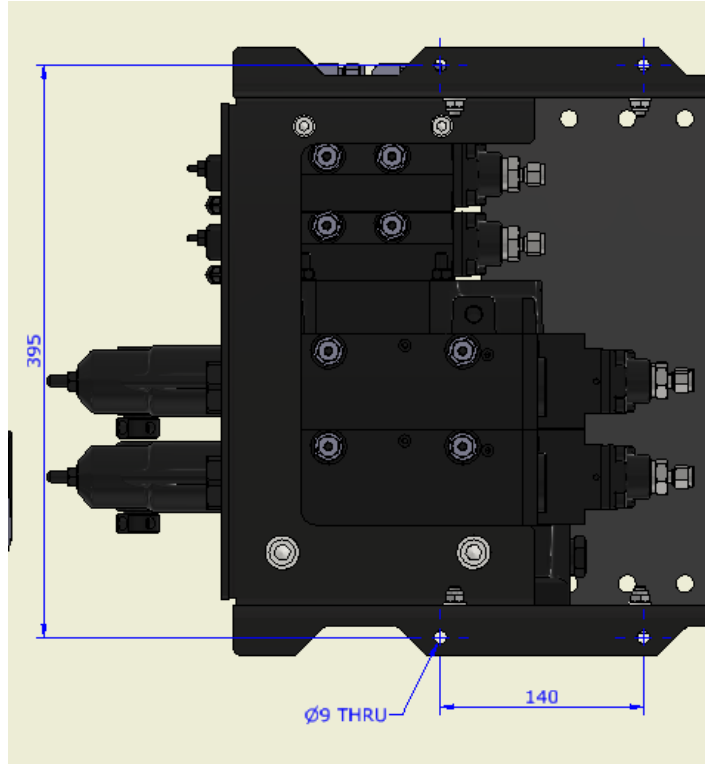


5507-1508 Face view

■ The specification details are illustrative for marketing purposes only. Actual equipment may be different as a result of product improvement or other reasons. Specific interface and performance information should be reconfirmed at time of order placement.  
 Envirent AS, Robotvegen 16, 4340 Bryne, +47 477 77 500 post@envirent.no

# SPECIFICATIONS

## 4- FUNCTION VALVEPACK



■ The specification details are illustrative for marketing purposes only. Actual equipment may be different as a result of product improvement or other reasons. Specific interface and performance information should be reconfirmed at time of order placement.  
Envirent AS, Robotvegen 16, 4340 Bryne, +47 477 77 500 post@envirent.no