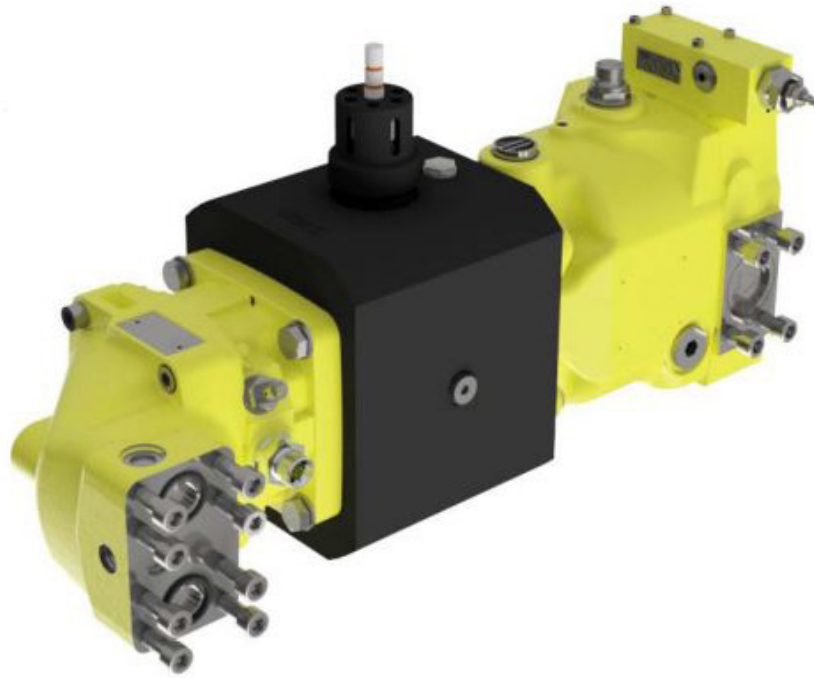


DIRTY WORK PACK

46CC PUMP
ISOLATED HYDRAULIC
POWERPACK



Description

The High Flow Dirty Work Pack Unit is used to reduce the risk of contamination in the main ROV hydraulic system. By using this equipment, you will get two completely separate oil circuits and avoid concerns about contamination in your hydraulic system.

The Dirty Oil Pack is an Isolated Hydraulic Power Unit (IHPU) that can be easily incorporated into a ROV hydraulic system to provide an isolated hydraulic supply for driving tooling and equipment that may potentially otherwise cause contamination to the main ROV hydraulic supply.

Hook-up to the ROV is quick and simple by connecting a supply, return and drain line to a ROV valve pack function.

Features

- 207 / 345 Bar pump supply
- 120 L/min pump flow
- Compact design
- Service and user friendly
- Customized pressure control option
- Rated to 3000 MSW

■ The specification details are illustrative for marketing purposes only. Actual equipment may be different as a result of product improvement or other reasons. Specific interface and performance information should be reconfirmed at time of order placement.

Envirent AS, Hattelandsveien 92, 4353 Klepp Stasjon, +47 477 77 500 post@envirent.no



SPECIFICATIONS

ISOLATED HYDRAULIC POWER UNIT

General Technical Specifications

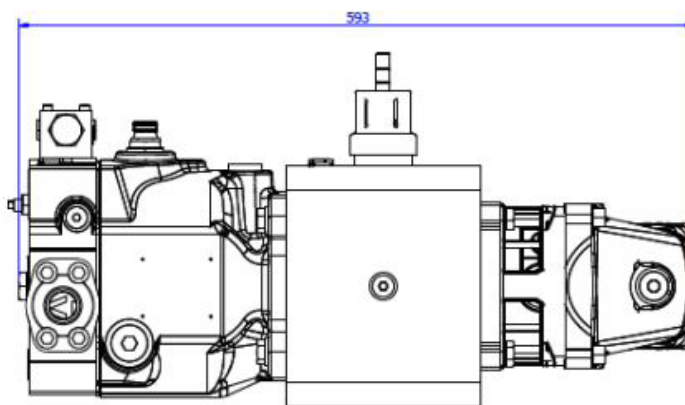
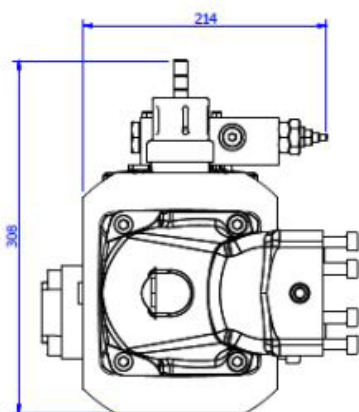
Type	Isolated Hydraulic Power Unit
Part Number	103276
Dimensions	mm 214 x 308 x 593
Weight (in air / submerged)	kg ~75 / ~66

Hydraulic

Max. Input Pressure	Bar 207
Max. Output Pressure	Bar 207 or 345
Max. Input Flow	L/min 168
Max. Output Flow	L/min 120
Connection ROV pressure	SAE SAE Code 62 3/4"
Connection ROV return	SAE SAE Code 62 3/4"
Connection ROV drain	JIC #6
Connection DWP supply	SAE SAE Code 62 1"
Connection DWP drain	JIC #6
Connection DWP suction	SAE SAE Code 62 1-1/2"
Connection DWP regulator	JIC #6

General Features

Depth rating	MSW 3000
--------------	----------



■ The specification details are illustrative for marketing purposes only. Actual equipment may be different as a result of product improvement or other reasons. Specific interface and performance information should be reconfirmed at time of order placement.

Envirent AS, Hattelandsveien 92, 4353 Klepp Stasjon, +47 477 77 500 post@envirent.no



envirent